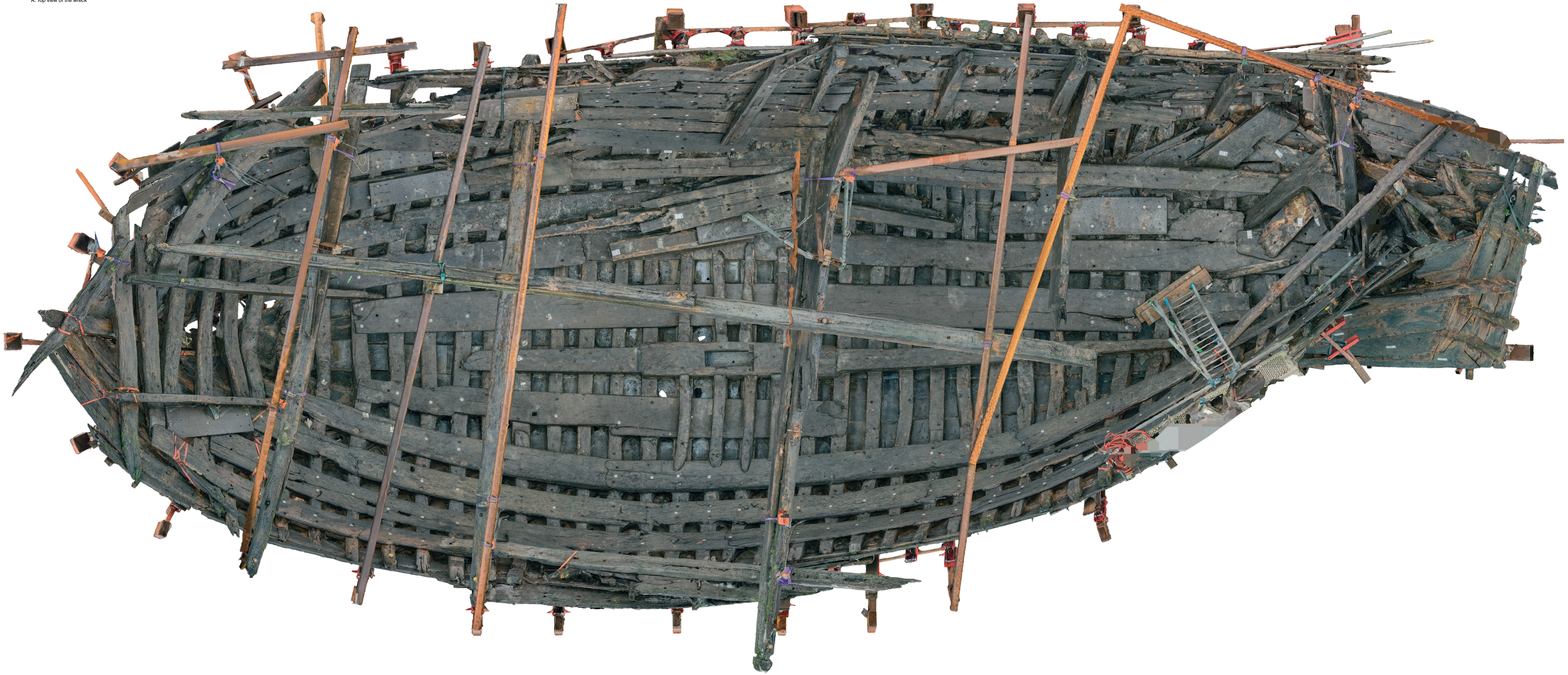


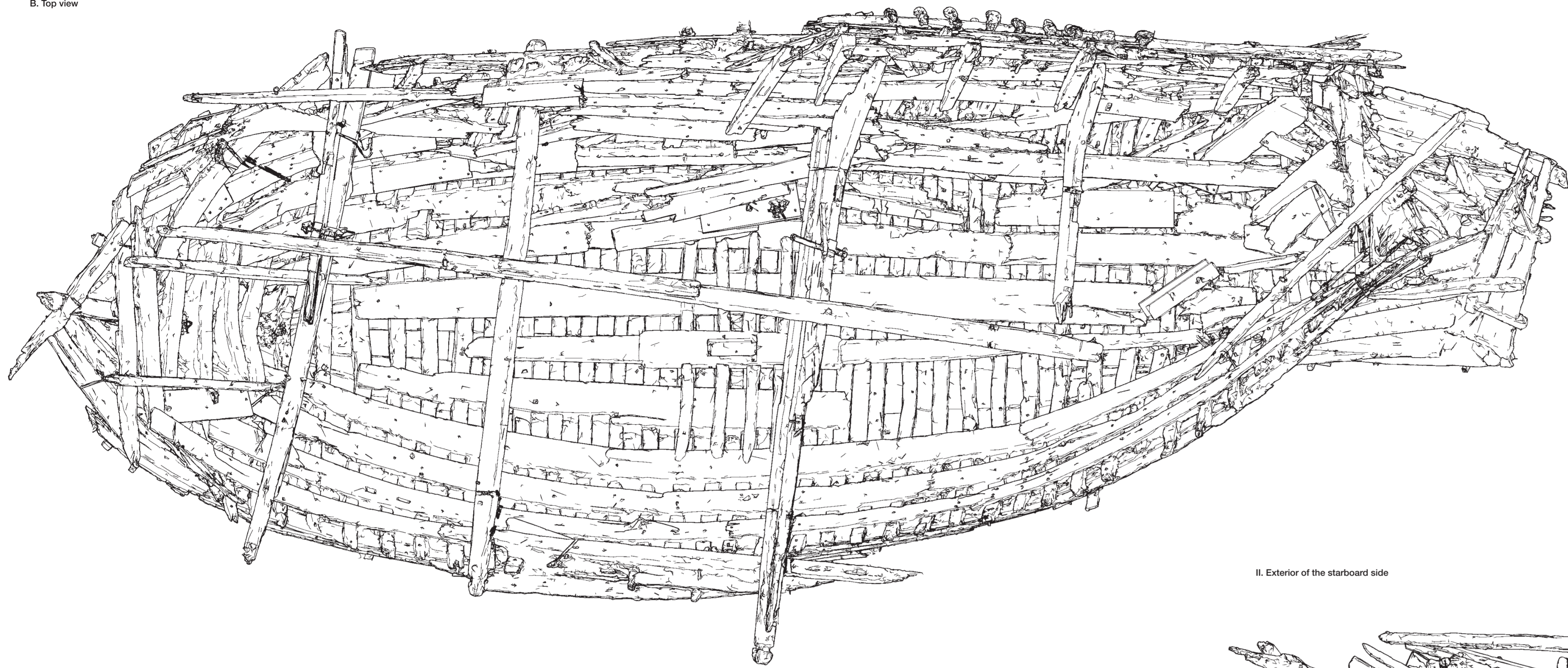
A. Top view of the wreck



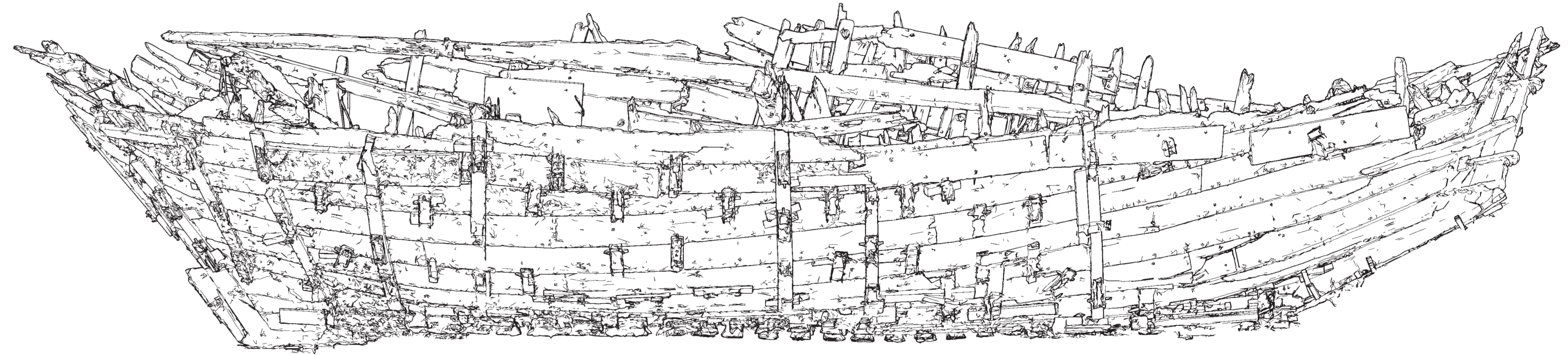
The wreck as placed in the conservation hall

A. Top view. Composite 3-D photogrammetric image.

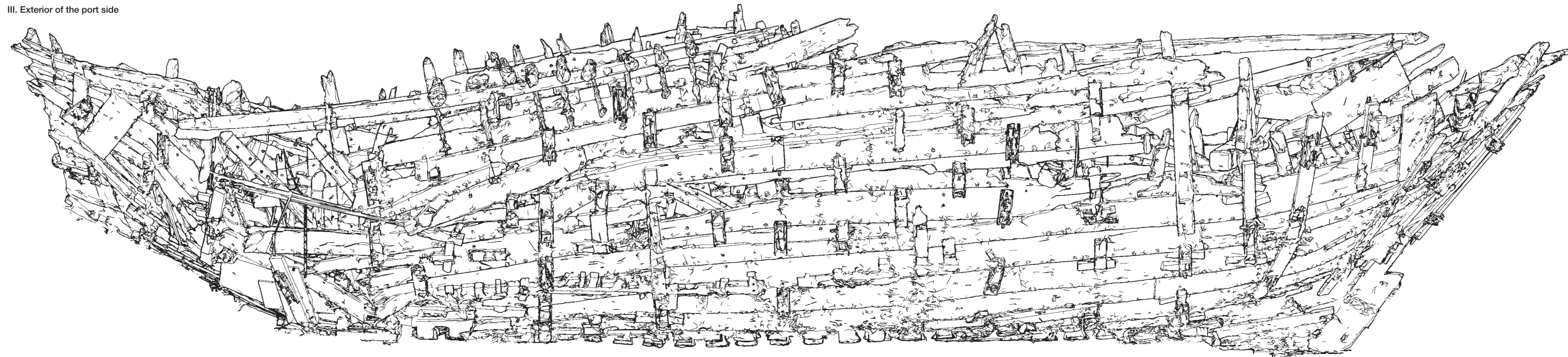
B. Top view



II. Exterior of the starboard side



III. Exterior of the port side

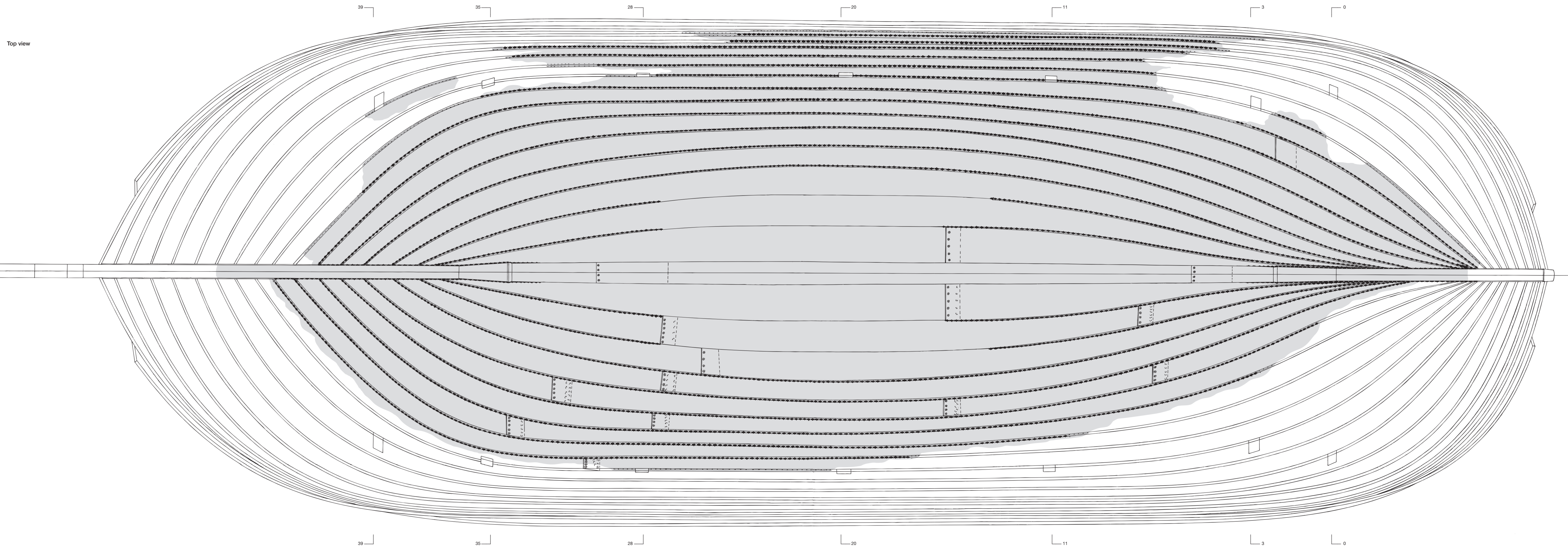


Documentation

IB. 3-D image. Top view of the wreck.

II. 3-D image. Exterior of the starboard side.

III. 3-D image. Exterior of the port side.



Top view

Legend

- Recovered timbers
- Frame number

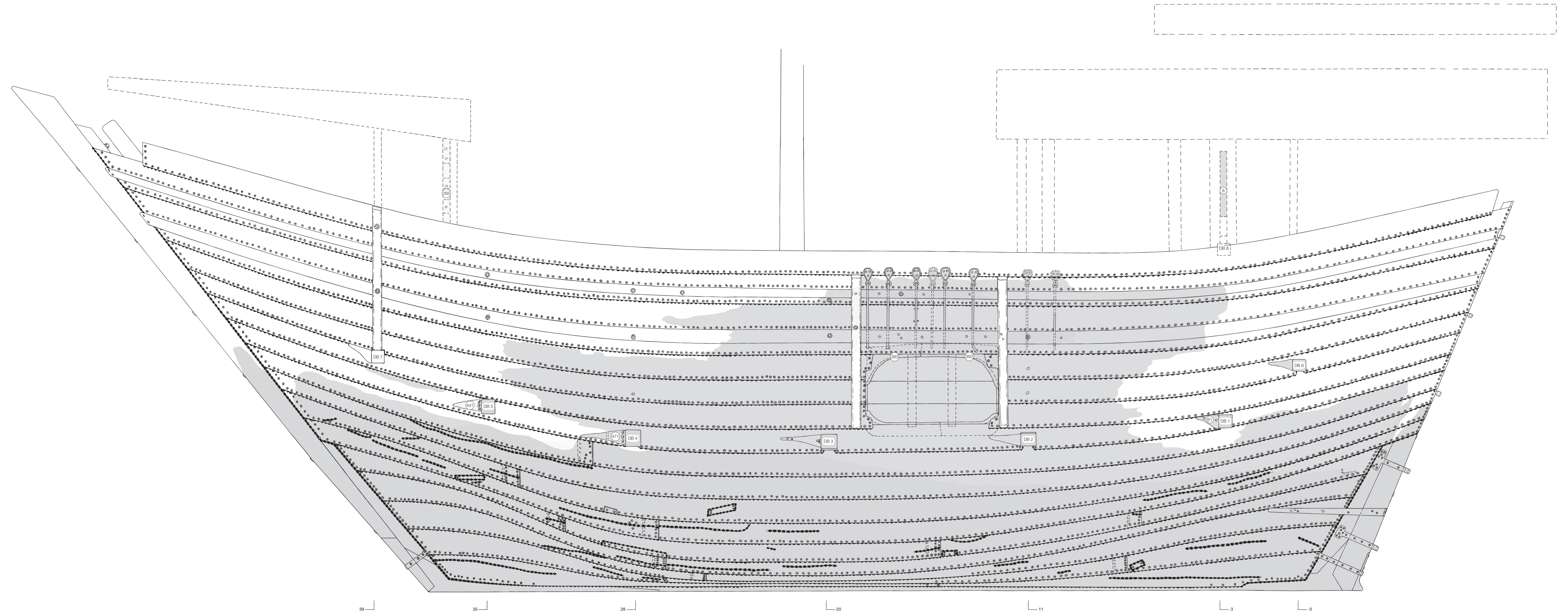
Reconstruction drawing

Top view of the shell, showing the observed plank scarfs, the clamped moss caulking on the inside and the recovered timbers.

Scale

0 m 1 m

Exterior of the port side

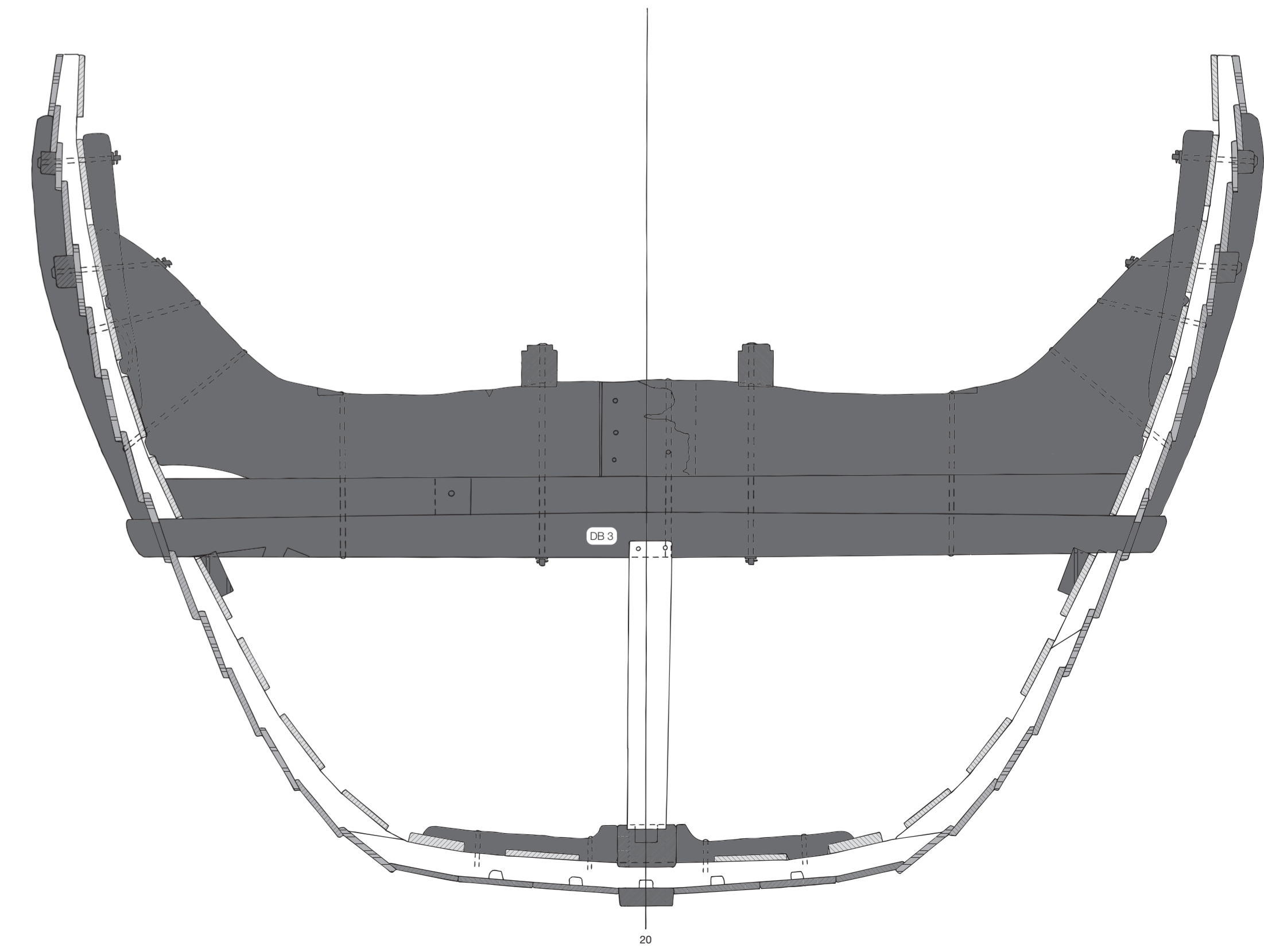
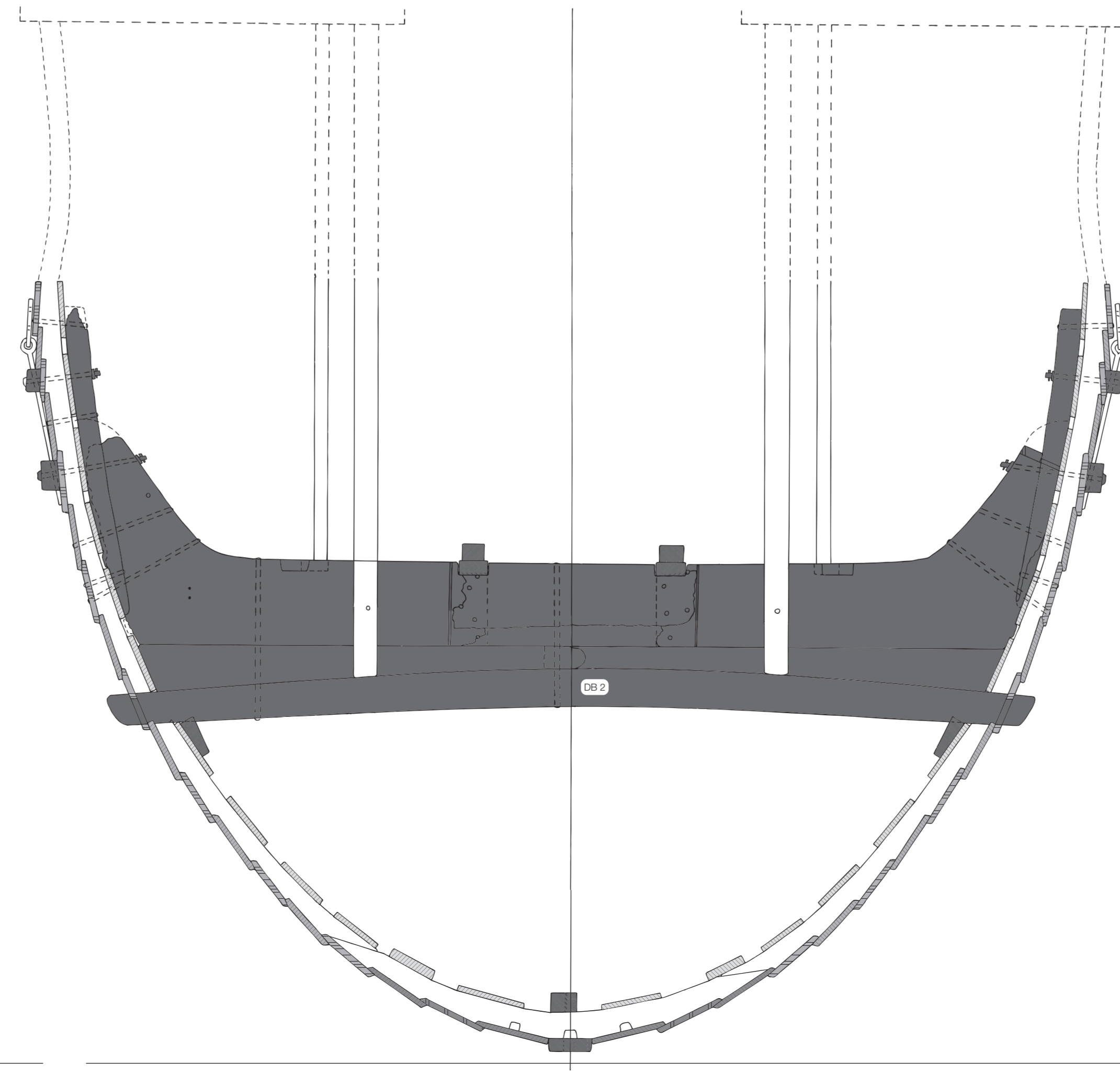
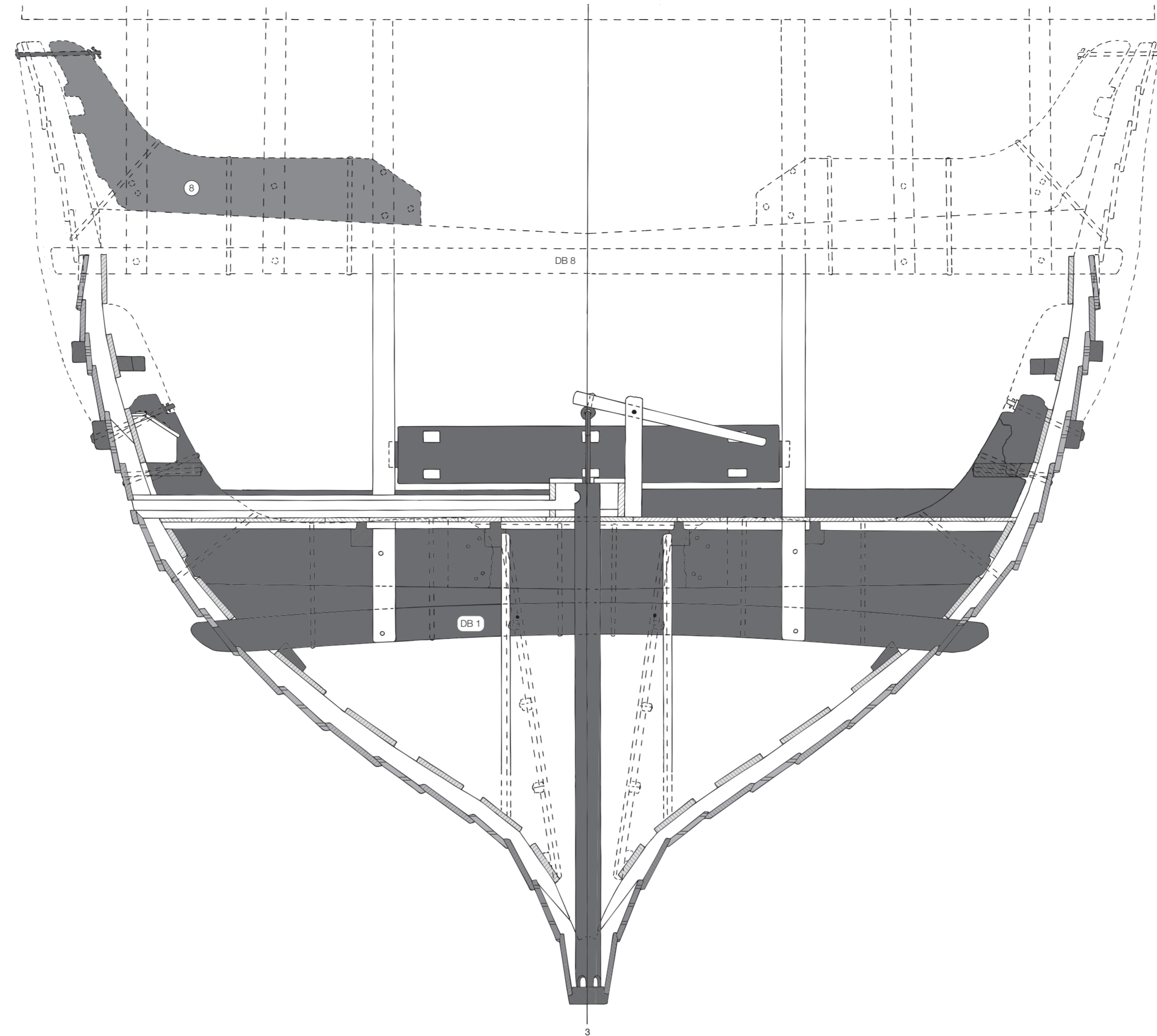
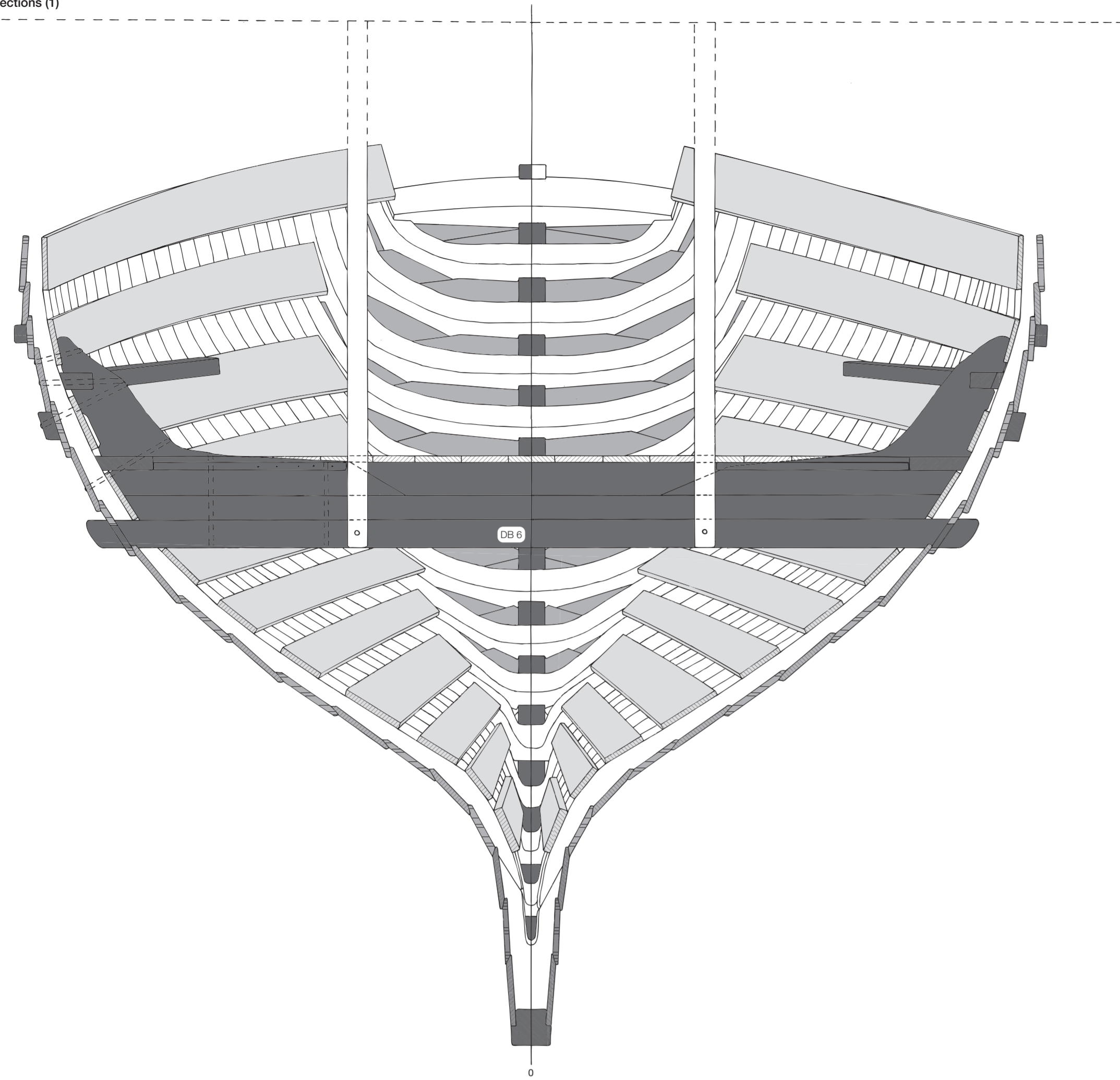


- Legend**
- Recovered timbers of the starboard side
 - Recovered timbers of the port side
 - Nails of the clinker fastenings
 - Clinker seams closed with clamped moss caulking
 - Cracks closed with clamped moss caulking
 - Crossbeam
 - Detached timber
 - Frame number

Reconstruction drawing
 Exterior of the (port) side, combining the recovered parts of the port and starboard sides.

Scale
 0 m 1 m

A. Cross-sections (1)



Legend

- Stempost, stern hook, keel plank, crossbeam construction, side boards, whales, keelson with mast step, riders, pump barrel / drain / cistern, windlass, shell clamp
- Bottom strakes
- Shell strakes
- Ceiling strakes
- Frames, stanchions of the superstructure and wash bulkheads, deck planks, drain, cupboard, pump lever

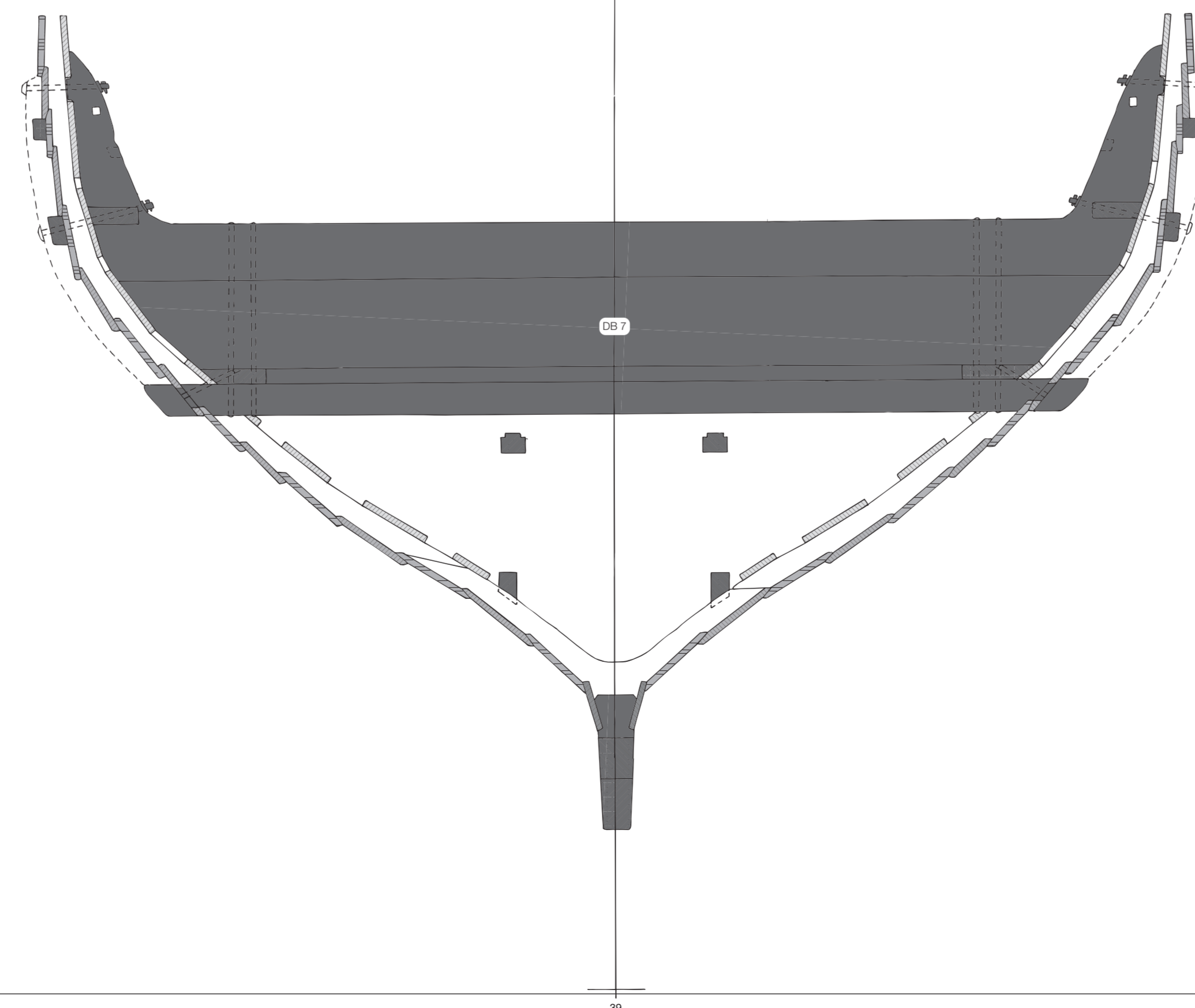
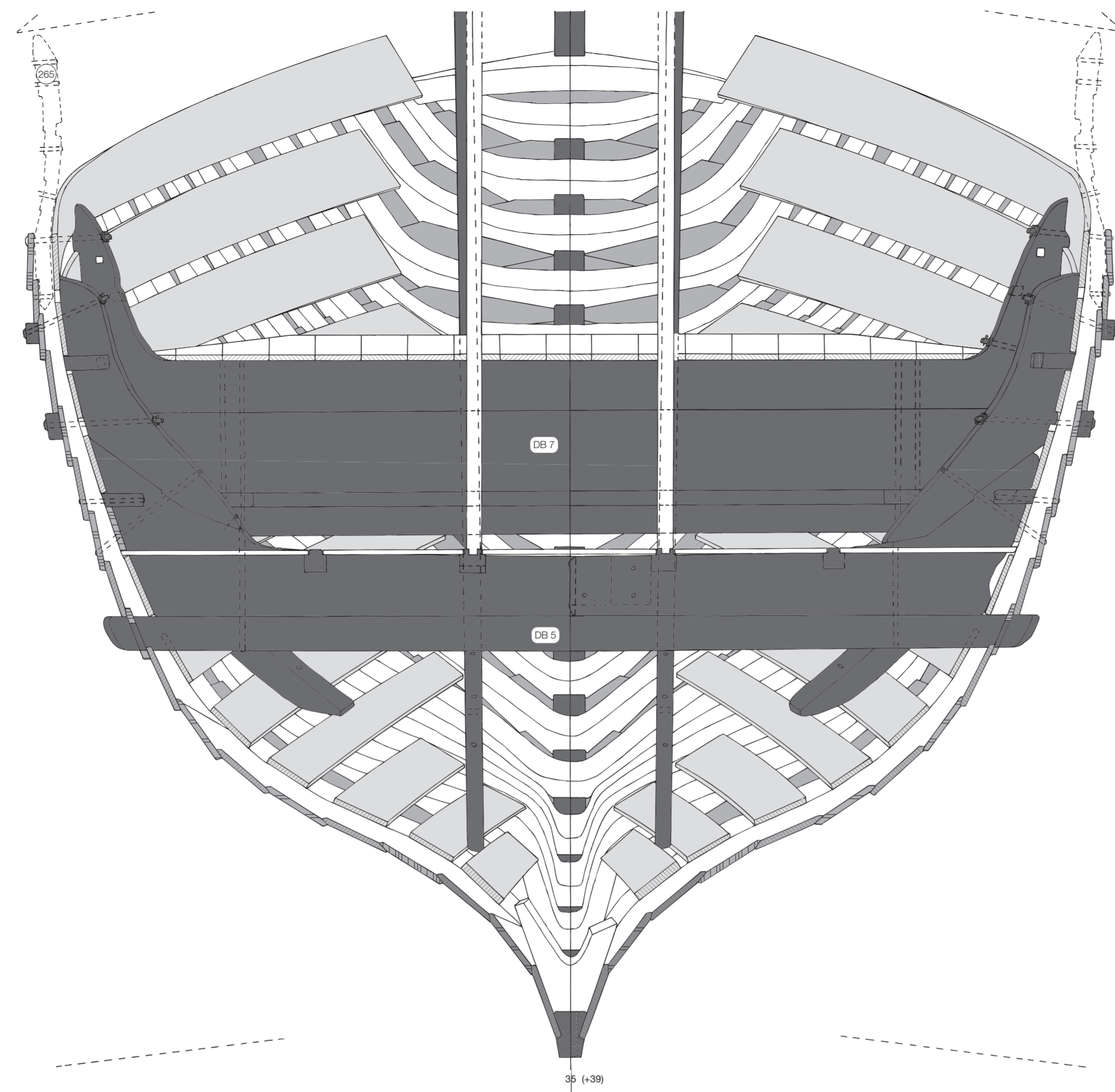
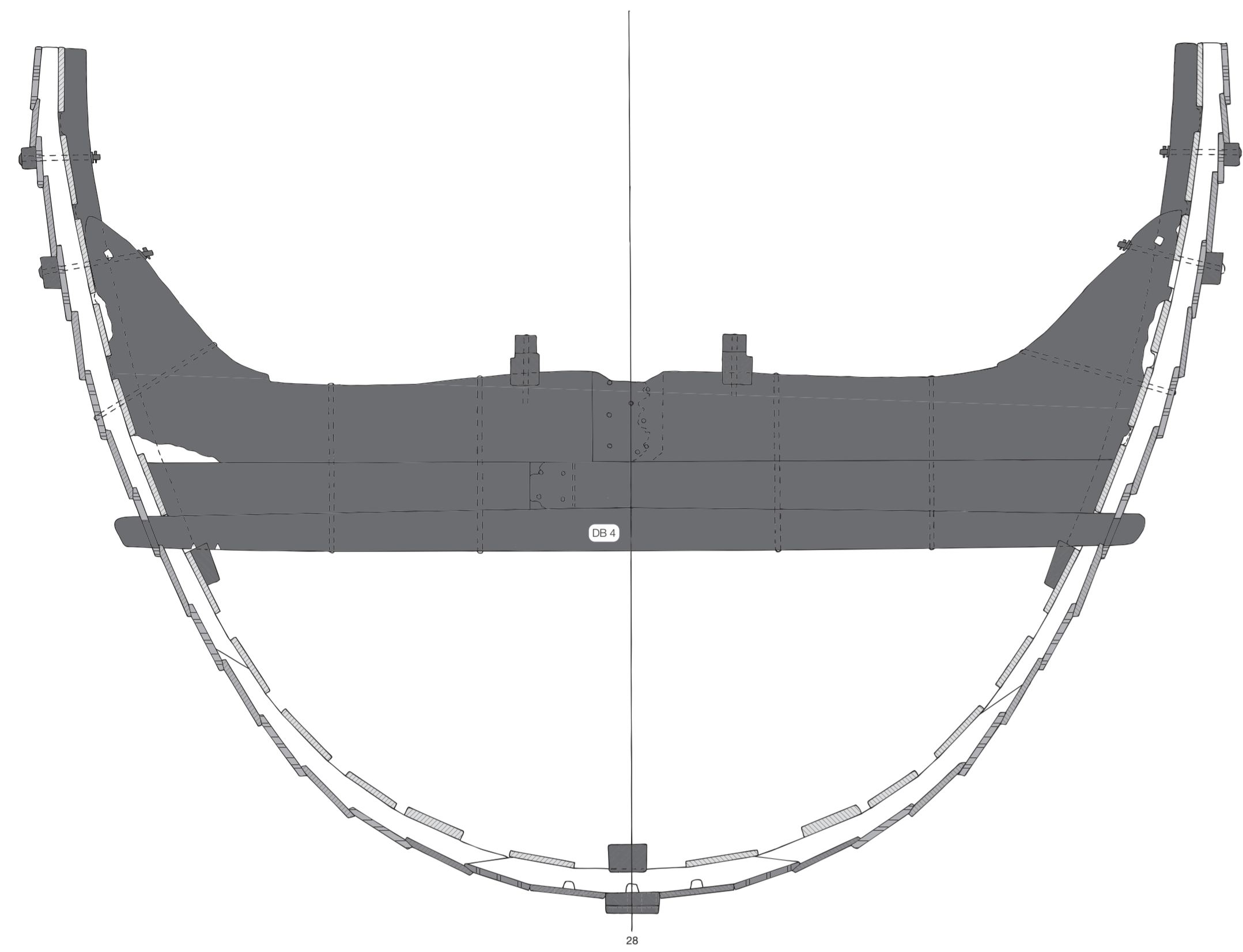
- ▨ Cross-cut wood
- ▧ Crossbeam construction
- ⊙ Detached knee
- Frame number

Reconstruction drawing

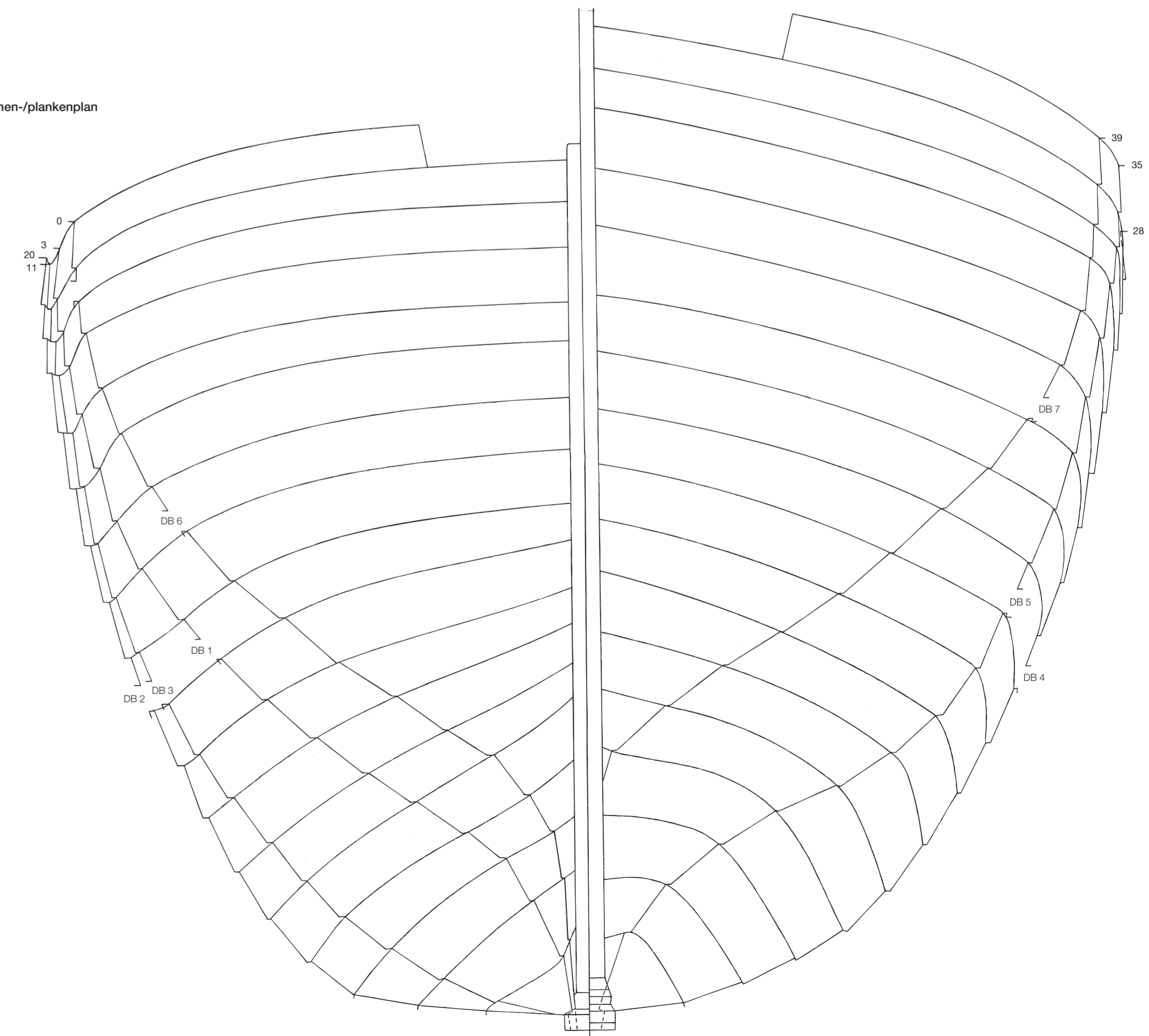
A. Cross-sections (1).

Scale
0 m 1 m

A. Cross-sections (2)



B. Lijnen-/plankenplan



Legend

- Stern- and stemposts, stern- and stem hooks, keel plank, crossbeam construction, side boards, wholes, side stems
- Bottom strakes
- Shell strakes
- Ceiling strakes
- Frames, stanchions of the superstructure and wash bulkheads, deck planks, drain, cupboard, pump lever
- Cross-cut wood
- Crossbeam construction
- Detached knee
- Frame number

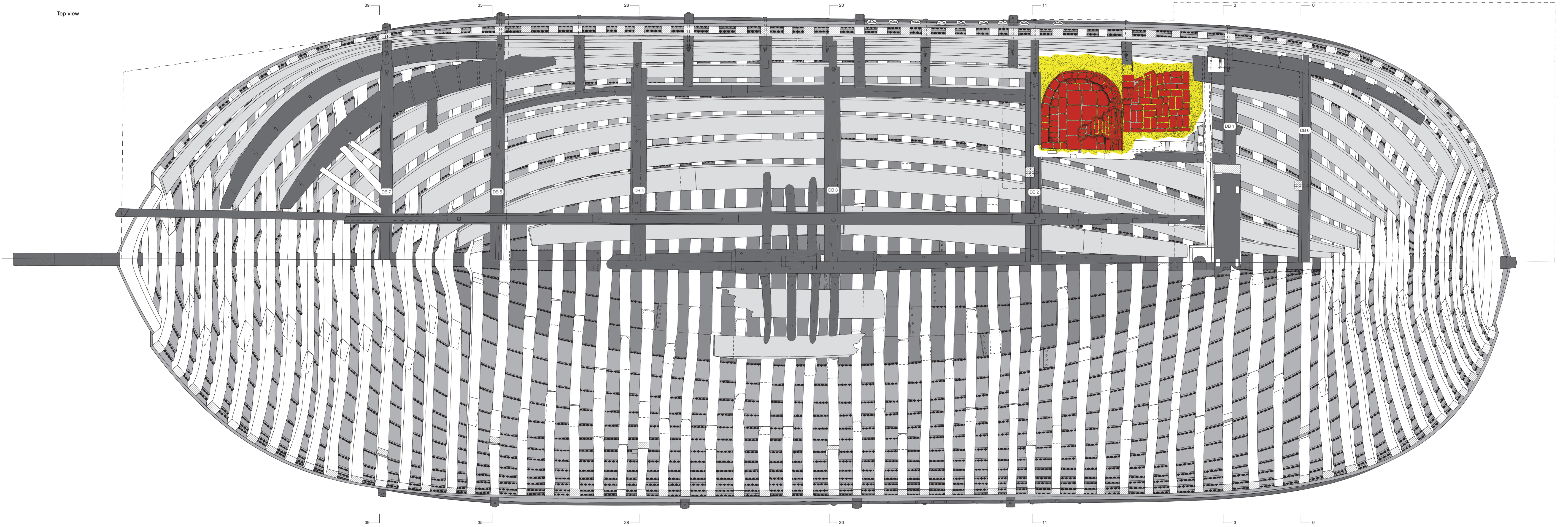
Reconstruction drawing

- A. Cross-sections (2).
- B. Lines / plankenplan.

Scale



Top view



Legend

- Keel plank, stem- and stemposts, stem- and stem hooks, false stem, side stems, keelson, riders, crossbeam constructions 1 to 7, stringers, side boards, whales on shell strake P, pump
- Bottom strakes
- Shell strakes
- Ceiling strakes
- Frames, stanchions of the superstructures, deck planks, short deck beams, drain/costern, cupboard

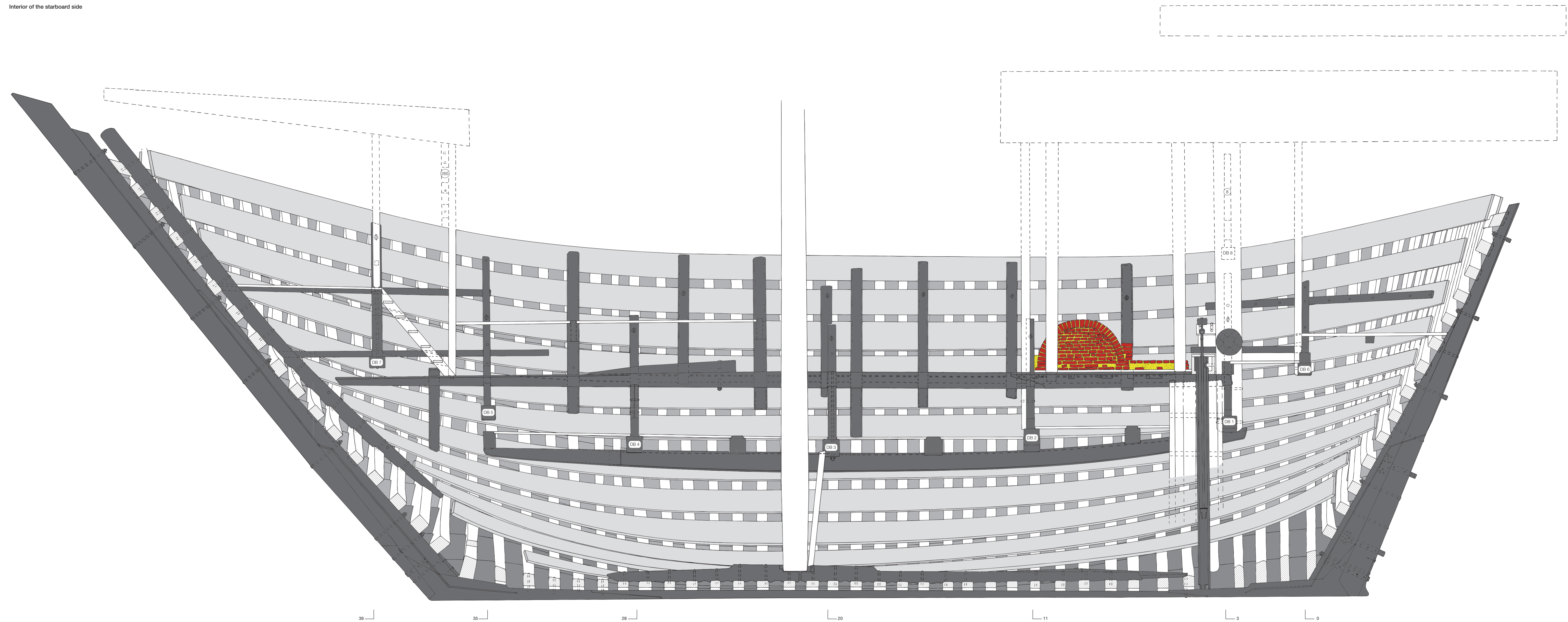
- ▨ Cross-cut wood
- Bricks and tiles of the oven and fireplace
- Loam
- ▨ Protruding crossbeam
- ▨ Conjectural outlines of superstructures aft and fore
- Frame number

Reconstruction drawing

Top view. Showing the ceiling, keelson with mast step, riders, crossbeams with knees, stringers, oven and fireplace, pump, drain and windlass (starboard). The port side shows the frame plan.

Scale
0 m 1 m

Interior of the starboard side



- Legend**
- Keel plank, stem- and stemposts, stem- and stem hooks, false stern and stem, side stem, keelson, riders, crossbeam constructions 1 to 7, stringers, whales on strake P, side boards, pump
 - Bottom strakes
 - Shell strakes
 - Ceiling strakes
 - Frames, mast, 'mast guide', stanchions of the superstructures in the afterbody and forebody, deck planks, ladder, drain/cistern, wash bulkheads, cupboard
 - ▨ Cross-cut wood
 - Bricks and tiles of the oven and fireplace
 - Loam
 - ▭ Crossbeam
 - Detached part
 - ┌ Frame number

Reconstruction drawing

Interior of the starboard side with a longitudinal section along the keel plank, the stem- and stemposts, stem- and stem hooks, false stern and stem, riders, side boards, crossbeam constructions, decks, windlasses, oven and fireplace, the pump with cistern/drain and wash bulkheads. In a dashed line, the probable superstructures and roofs.

Scale

0 m 1 m